

TECHNICAL DATA SHEET



ALTERNATOR PROW18 500DC

DC brushless welder

PROW18 500DC

COMMON DATA

Rated Power at 50Hz	kVA	16
Rated Power at 60Hz	kVA	19,2
Rated Power Factor		0,8
Nominal Temperature	°C	40
Control System		self-excited
Execution		brushless
Insulation Class		H
Protection		IP23
Maximum Over speed	rpm	2250
Overload		110% of rated power for one hour in a cycle of 6 hours
Air Flow Requirement	m ³ /min	6,9 at 50Hz 7,1 at 60Hz
R.F.I. Suppression		Standard EN55011

REGULATION DATA

Regulation		CS18 and HVR11
Sensing		Single-Phase
Voltage Regulation		±1%

WINDING DATA

Rotor Winding		with damping cage
Number of Leads of Stator		4
Stator Winding Resistance	Ω	0,64 at 20°C
Rotor Winding Resistance	Ω	2,9 at 20°C
Exciter Stator Resistance	Ω	15 at 20°C
Exciter Rotor Resistance	Ω	0,72 at 20°C

STANDARD

References		EN60034-1 ISO8528-3 EN55011
------------	--	-----------------------------

PROW18 500DC

ELECTRICAL DATA

No load voltage	V _{AC}	72
Welding voltage	V _{AC}	20-40
Regulation range	A _{AC}	35-500
Max. current at 35%	A _{AC}	500
Max. current at 60%	A _{AC}	390
Max. current at 100%	A _{AC}	300
Stator Winding Resistance	Ω	0,0078 at 20°C
Electrodes type		basic; cellulosic; inox, rutile
Electrodes diameter	mm	1 - 8

MECHANICAL DATA

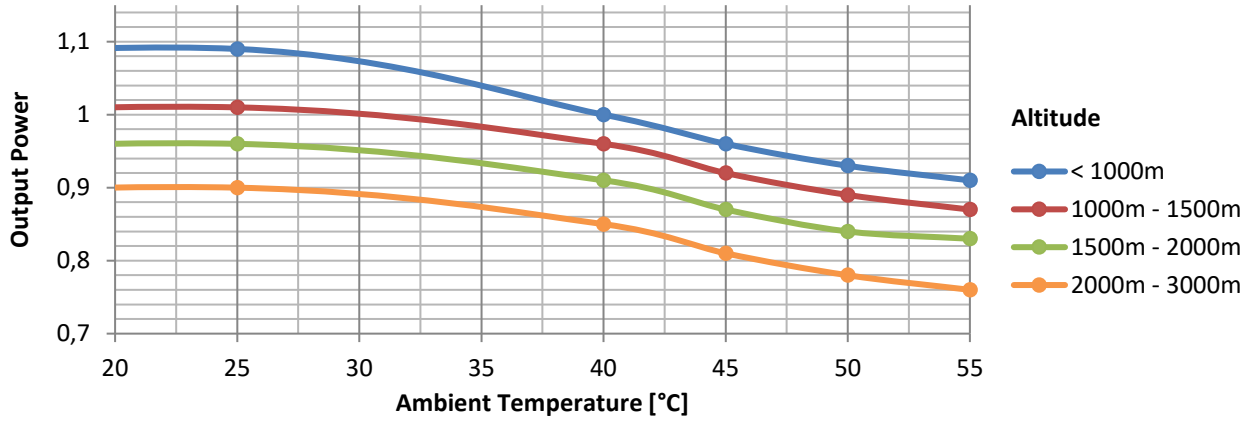
Bearing non drive end		6307-2RS-C3	
Bearing drive end (B3/B14 form)		6309-2RS-C3	
Weight of generator	in B2	kg	226
	in B3/B14	kg	228
	in B3/B9	kg	\

MOMENT OF INERZIA

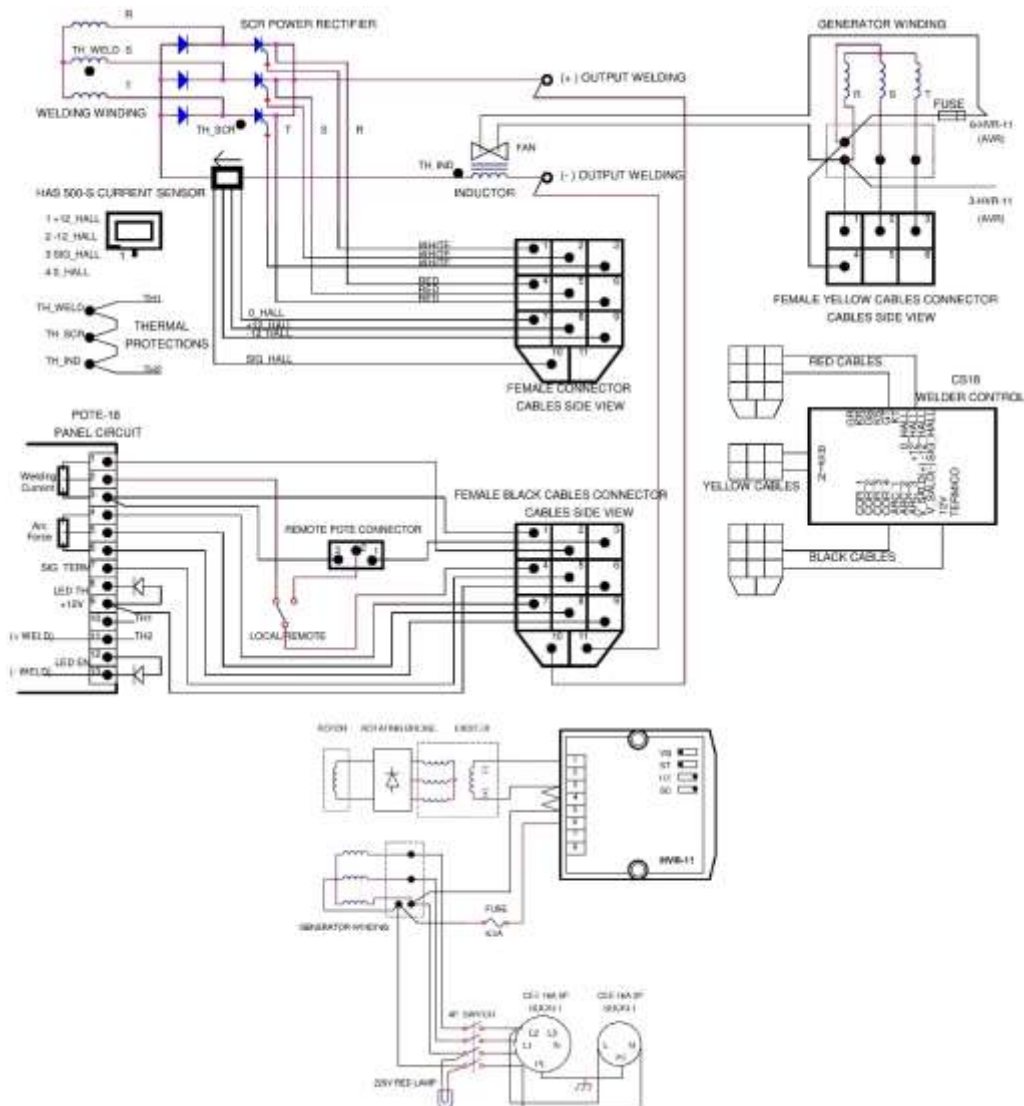
B3/B9	kg·m ²	\
SAE 7½	kg·m ²	0,281
SAE 8	kg·m ²	0,290
SAE 10	kg·m ²	0,306
SAE 11½	kg·m ²	0,326
SAE 14	kg·m ²	\
SAE 18	kg·m ²	\
B3/B14	kg·m ²	0,272

PROW18 500DC

DERATING CURVES

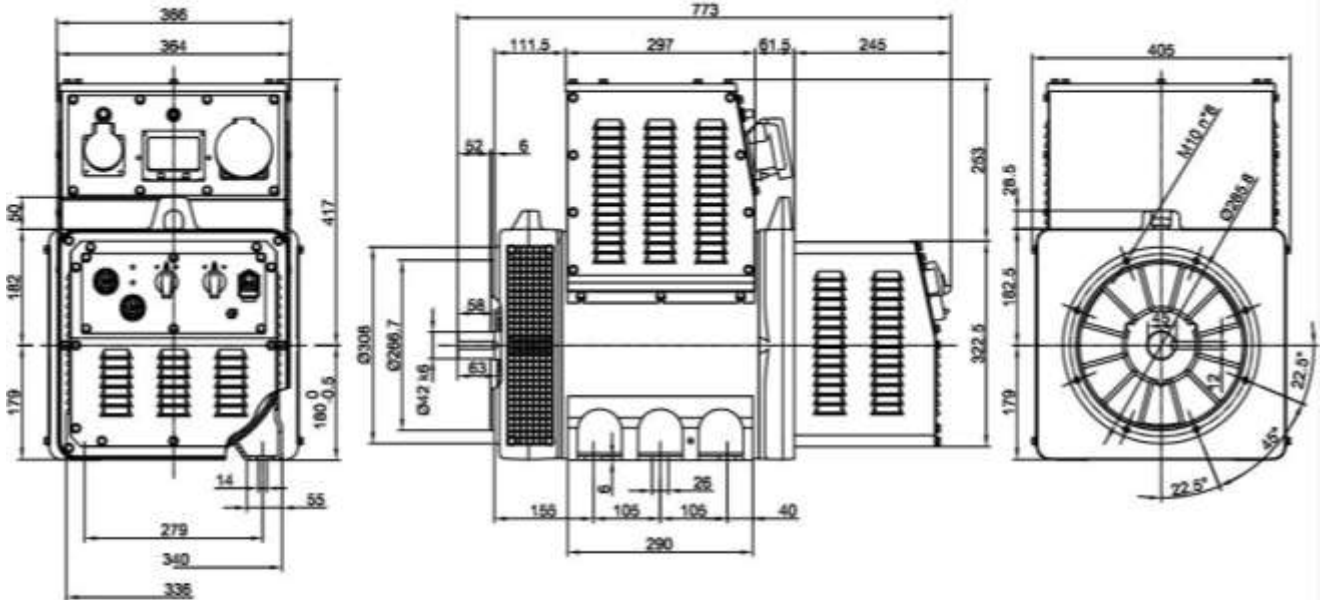


WIRING DIAGRAM

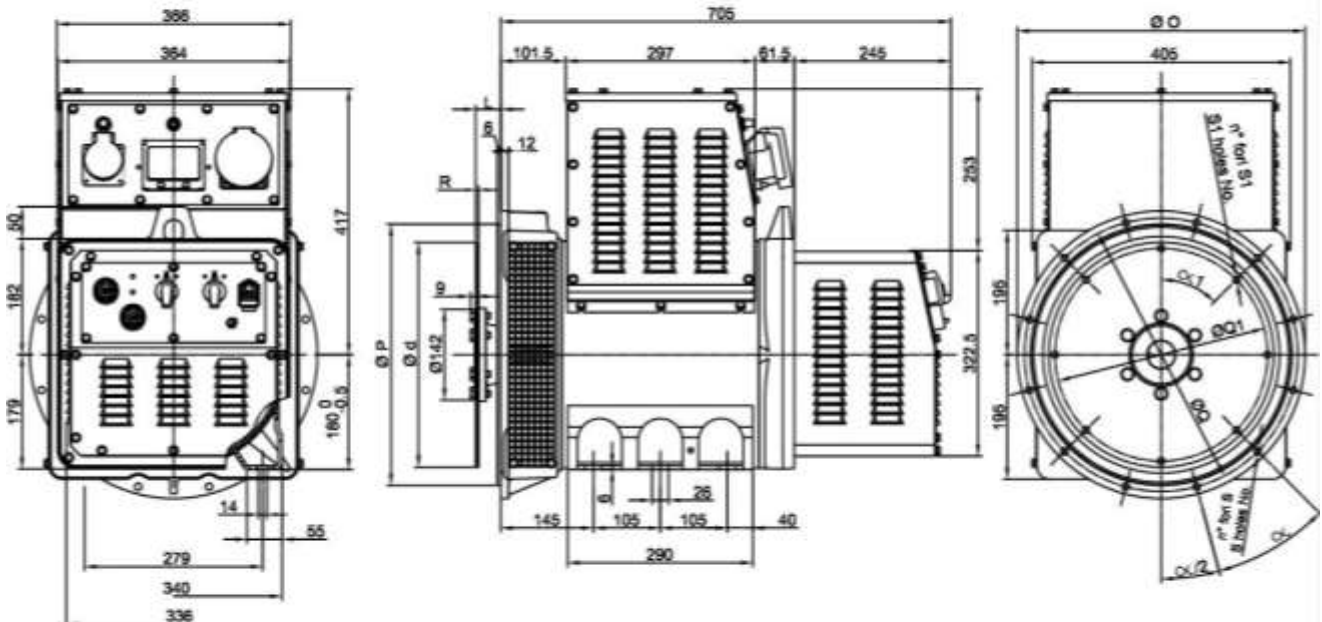


PROW18 500DC

FORMA - FORM B3/B14



FORMA - FORM MD35



SAE N.	Ø O	Ø P	Ø Q	n. fori holes No.	S	α
6	366	314.3	333.4	8	11	45°
4	482	362	381	12		30°
3	451	409.6	428.6	12		30°
2	490	447.7	466.7	12		30°

SAE N.	L	Ø d	Ø Q1	n. fori holes No.	S1	α1	R
6 1/2	30.2	215.9	200	8	9	60°	
7 1/2	30.2	241.3	222.25	8	9	45°	3
8	62	263.52	244.47	8	10.5	60°	
10	53.8	314.32	295.27	8	10.5	45°	
11 1/2	39.6	362.42	333.37	8	10.5	45°	